

Value1200EILCD/Value1500EILCD/Value2200EILCD User's Manual

IMPORTANT SAFETY INSTRUCTIONS

(SAVE THESE INSTRUCTIONS)

This manual contains important safety instructions. Please read and follow all instructions carefully during installation and operation of the unit. Read this manual thoroughly before attempting to unpack, install, or operate your UPS.

CAUTION! To prevent the risk of fire or electric shock, install in a temperature and humidity controlled indoor area free of conductive contaminants. (See the specifications for the acceptable temperature and humidity range.)

CAUTION! To reduce the risk of overheating the UPS, do not cover the UPS' cooling vents and avoid exposing the unit to direct sunlight or installing the unit near heat emitting appliances such as space heaters or furnaces.

CAUTION! Do not attach non-computer-related items, such as medical equipment, life-support equipment, microwave ovens, or vacuum cleaners to UPS.

CAUTION! Do not plug the UPS input into its own output.

CAUTION! Do not allow liquids or any foreign object to enter the UPS. Do not place beverages or any other liquid-containing vessels on or near the unit.

CAUTION! In the event of an emergency, press the OFF button and disconnect the power cord from the AC power supply to properly disable the UPS.

CAUTION! Do not attach a power strip or surge suppressor to the UPS.

CAUTION! If the UPS is with metal chassis, for safety purpose, grounding is a must during UPS installation in order to reduce leakage current below 3.5mA. Attention hazardous through electric shock. Also with disconnection of this unit from the mains, hazardous voltage still may be accessible through supply from battery. The battery supply should be therefore disconnected in the plus and minus pole at the quick connectors of the battery when maintenance or service work inside the UPS is necessary.

CAUTION! Internal battery voltage is 12Vdc. Sealed, lead-acid, 6-cell battery.

CAUTION! Servicing of batteries should be performed or supervised by personnel knowledgeable of batteries and the required precautions. Keep unauthorized personnel away from batteries.

CAUTION! When replacing the batteries, use the same number and type of batteries.

CAUTION! Do not dispose of batteries in a fire. The battery may explode. Do not open or mutilate the battery or batteries. Released electrolyte is harmful to the skin and eyes.

CAUTION! Unplug the UPS prior to cleaning and do not use liquid or spray detergent.

CAUTION! A battery can present a risk of electric shock and high short circuit current. The following precaution should be observed before replacing batteries: (1) Remove watches, rings, or other metal objects. (2) Use tools with insulated handles. (3) Wear rubber gloves and boots. (4) Do not lay tools or metal parts on top of batteries. (5) Disconnect charging source prior to connecting or disconnecting batteries terminal.

INSTALLING YOUR UPS SYSTEM

UNPACKING

Inspect the UPS upon receipt. The box should contain the following:

(1)UPS Unit × 1; (2)Power Cord × 1; (3)USB Cable × 1; (4)Telephone communication cable × 1; (5)User Manual × 1; (6)Management software Disk × 1

OVERVIEW

The Value1200EILCD/1500EILCD/2200EILCD provides automatic voltage regulation for inconsistent utility power, and provides battery backup during power outages. The Value1200EILCD/1500EILCD/2200EILCD ensures consistent power to your computer system and its included software will automatically save your open files and shut down your computer system during a utility power loss.

HOW TO DETERMINE THE POWER REQUIREMENTS OF YOUR EQUIPMENT

1. Ensure that the equipment plugged into the battery power-supplied outlets does not exceed the UPS unit's rated capacity (1200VA/720W for Value1200EILCD, 1500VA/900W for Value1500EILCD, 2200VA/1320W for Value2200EILCD). If rated unit capacities are exceeded, an overload condition may occur and cause the UPS unit to shut down or the circuit breaker strip.
2. There are many factors that can affect the amount of power that your computer system will require. For optimal system performance keep the load below 80% of the unit's rated capacity.

TO ESTIMATE POWER REQUIREMENTS

1. _____ Amps (A) x 230 = _____ VA
2. Add the totals up for all pieces of equipment and multiply this total by 0.6 to calculate actual requirements. There are many factors that can affect the amount of power that your computer system will require. The total load that you will be placing on the battery-powered outlets should not exceed 80% of the unit's capacity.

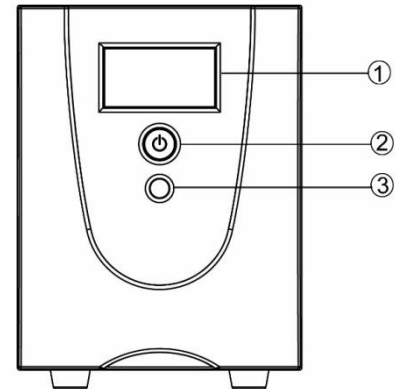
HARDWARE INSTALLATION GUIDE

1. Your new UPS may be used immediately upon receipt. However, recharging the battery for at least 8 hours is recommended to ensure that the battery's maximum charge capacity is achieved. Charge loss may occur during shipping and storage. To recharge the battery, simply leave the unit plugged into an AC outlet. The unit will charge in both the on and off position.

2. With the UPS unit off and unplugged, connect the computer, monitor, and any externally powered data storage device (Zip drive, Jazz drive, Tape drive, etc. into the battery power supplied outlets. **DO NOT plug a laser printer, copier, space heater, vacuum, paper shredder or other large electrical device into the battery power supplied outlets. The power demands of these devices will overload and possibly damage the unit.**
3. Plug the UPS into a 2 pole, 3 wire grounded receptacle (wall outlet). Make sure the wall branch outlet is protected by a fuse or circuit breaker and does not service equipment with large electrical demands (e.g. air conditioner, refrigerator, copier, etc. Avoid using extension cords.
4. Depress the power switch to turn the unit on. The power on indicator light will illuminate and the unit will "beep".
5. If an overload is detected, an audible alarm will sound and the unit will emit one long beep. To correct this, turn the UPS off and unplug at least one piece of equipment from the battery power supplied outlets. Wait 10 seconds. Make sure the circuit breaker is depressed and then turn the UPS on.
6. To maintain optimal battery charge, leave the UPS plugged into an AC outlet at all times.
7. To store your UPS for an extended period, cover it and store with the battery fully charged. Recharge the battery every three months to ensure battery life.

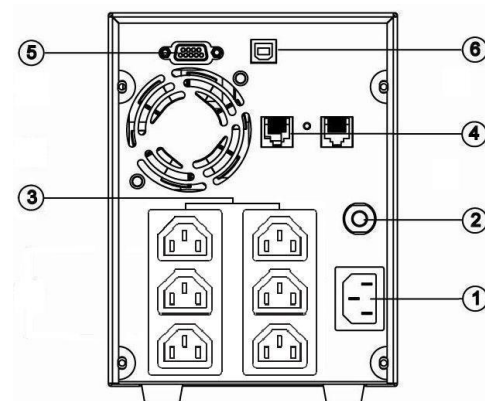
BASIC OPERATION

FRONT PANEL DESCRIPTION

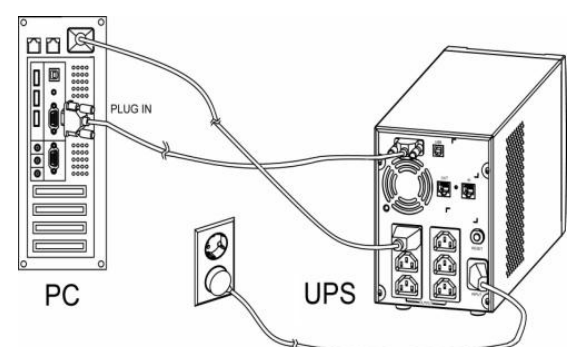


1. **LCD Display**
The LCD will display the UPS status including input voltage, output voltage, runtime, percentage of load and battery...etc.
2. **Power On/Off Switch**
Press the power switch to turn the UPS ON or OFF.
3. **LCD Function Selected Switch**
The switch can be used to select the LCD display contents Including input/output voltage and estimated run time, etc.

REAR PANEL DESCRIPTION

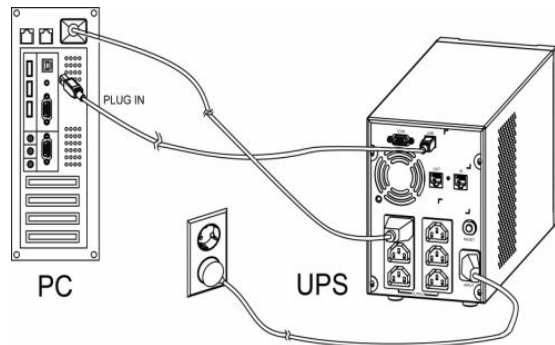


1. **AC Inlet**
Connect to utility power through the input power cord
2. **Input Circuit Breaker**
The circuit breaker provides optimal overload protection.
3. **AC outlet**
The UPS provides outlets for connected equipment to insure temporary uninterrupted operation during a power failure and against surges and spikes.
4. **Communication Protection Ports**
Communication protection ports will protect any standard modem, fax, telephone line, or network cable.
5. **Serial Port to PC**
This port allows connection and communicates from the DB-9 serial on the computer to the UPS unit. The UPS communicates its status to the **PowerPanel® Personal Edition** software.



6. USB Port to PC

This port allows connection and communication from the USB port on the computer to the UPS unit. The UPS communicates its status to the **PowerPanel® Personal Edition** software.



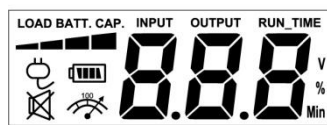
NOTE: Only one of these two ports can be used as communication and control of the UPS unit at one time.

TECHNICAL SPECIFICATIONS

Model	Value1200EILCD	Value1500EILCD	Value2200EILCD
Capacity (VA)	1200VA	1500VA	2200VA
Capacity (Watts)	720W	900W	1320W
Input			
Frequency	50/60Hz(Auto Sensing)		
Output			
On Battery Output Voltage	Simulated Sine Wave at 230Vac +/-7%		
On Battery Output Frequency	50/60 Hz +/-1%		
Overload Protection	On Utility: Circuit Breaker, On Battery: Internal Current Limiting		
Physical			
Total # of UPS Receptacles	6		
Maximum Dimensions	180mm(H) × 140mm(W) × 326mm(D)		
Weight	11.2 kg	13.2 kg	14.5 kg
Battery			
Sealed Maintenance Free Lead Acid Battery	12V / 7Ah x2	12V / 8.5Ah x2	12V / 9Ah x2
Typical Recharge Time	8 Hours		
Warning Diagnostics			
Indicators	Power On, UPS Status Display, Capacity Display, Digital Value Display		
Audible Alarms	On Battery, Low Battery, Overload		
Environmental			
Operating Temperature	0°C to 40°C		
Operating Relative Humidity	0 to 90%		
Communication			
PowerPanel® Personal Edition Software	Windows 7/Vista/XP/2000/Server 2003, Linux		
Management			
Auto-Charger	Yes		
Auto-Restart	Yes		
USB	Yes		

DEFINITIONS FOR ILLUMINATED LCD INDICATORS

LCD Indication



Line mode

Select SW Press	UPS Status Display				Capacity Display		Digital Value Display				
	⏻	🔋	⚡	👁️	Load Cap.	Battery Cap.	Input Voltage	Output Voltage	Run Time	% of Load	% of Batt.
Initial	V	X	--	X	V	X		V			
1st	V	X	--	X	V	X		V			
2nd	V	X	--	X	V	X				V	
3rd	V	X	--	X	V	X					V
4th	V	X	--	X	V	X	V				
5th(Return)	V	X	--	X	V	X		V			
Press >3sec (Sound Disable)	V	X	V	X	--	--	--	--	--	--	--
Press >3sec again (Sound Enable)	V	X	X	X	--	--	--	--	--	--	--
(Overload)	V	X	--	V	--	--	--	--	--	--	--

"V": Illuminated, "X": Not Illuminated, "--": Either

Battery mode

Select SW Press	UPS Status Display				Capacity Display		Digital Value Display				
	⏻	🔋	⚡	👁️	Load Cap.	Battery Cap.	Input Voltage	Output Voltage	Run Time	% of Load	% of Batt.
Initial	X	V	--	X	X	V		V			
1st	X	V	--	X	X	V		V			
2nd	X	V	--	X	V	X				V	
3rd	X	V	--	X	X	V					V
4th	X	V	--	X	X	V	V				
5th(Return)	X	V	--	X	X	V		V			
Press >3sec (Sound Disable)	X	V	V	X	--	--	--	--	--	--	--
Press >3sec again (Sound Enable)	X	V	X	X	--	--	--	--	--	--	--
(Overload)	X	V	--	V	--	--	--	--	--	--	--

"V": Illuminated, "X": Not Illuminated, "--": Either

CYBERPOWER GREENPOWER UPS™ TECHNOLOGY

CyberPower's Green Commitment

CyberPower is dedicated to the development of green products, and has adopted Green practices throughout its business, including: membership in Climate Savers Computing Initiative (CSCI), accordance with the Restriction on Hazardous Substances (RoHS), Waste Electrical and Electronic Equipment (WEEE) protocols, as well as ISO 14001 and IECQ QC080000. CyberPower pledges to provide the advanced energy solution for the environment and become a leading eco-friendly organization in the UPS industry.



Reduce Energy Cost with GreenPower UPS™ Technology

CyberPower's goal is not only to provide eco-friendly products but also to bring the best value for consumers. The advanced energy-saving design improves the operating efficiency and eliminates waste energy consumption. As a result, consumers will enjoy significant energy cost savings with the adoption of **GreenPower UPS™** technology.

TROUBLE SHOOTING

Problem	Possible Cause	Solution
The UPS does not perform expected runtime.	Batteries are not fully charged.	Recharge the battery by leaving the UPS plugged in.
	Battery is slightly worn out.	Contact CyberPower Systems Technical Support.
The UPS will not turn on.	The on/off switch is designed to prevent damage by rapidly turning it off and on.	Turn the UPS off. Wait 10 seconds and then turn the UPS on.
	The unit is not connected to an AC outlet.	The unit must be connected to a 220-240V 50/60Hz outlet.
	The battery is worn out.	Contact CyberPower Systems Technical Support.
Outlets do not provide power to equipment	Mechanical problem.	Contact CyberPower Systems Technical Support.
	Circuit breaker is tripped due to overload	Turn the UPS off and unplug at least one piece connected equipment. Unplug the power cord of the UPS then press the circuit breaker knob.
	Batteries are discharged	Allow the unit to recharge for at least 4 hours.
PowerPanel® Personal Edition is inactive	Unit has been damaged by a surge or spike.	Contact CyberPower Systems Technical Support.
	The serial/USB cable is not connected.	Connect the serial/USB cable to the UPS unit and an open serial port on the back of the computer. You must use the cable that came with the unit.
	The unit is not providing battery power.	Shutdown your computer and turn the UPS off. Wait 10 seconds and turn the UPS back on. This should reset the unit.

For more information, visit www.cpsww.com

All rights reserved. Reproduction without permission is prohibited.

